

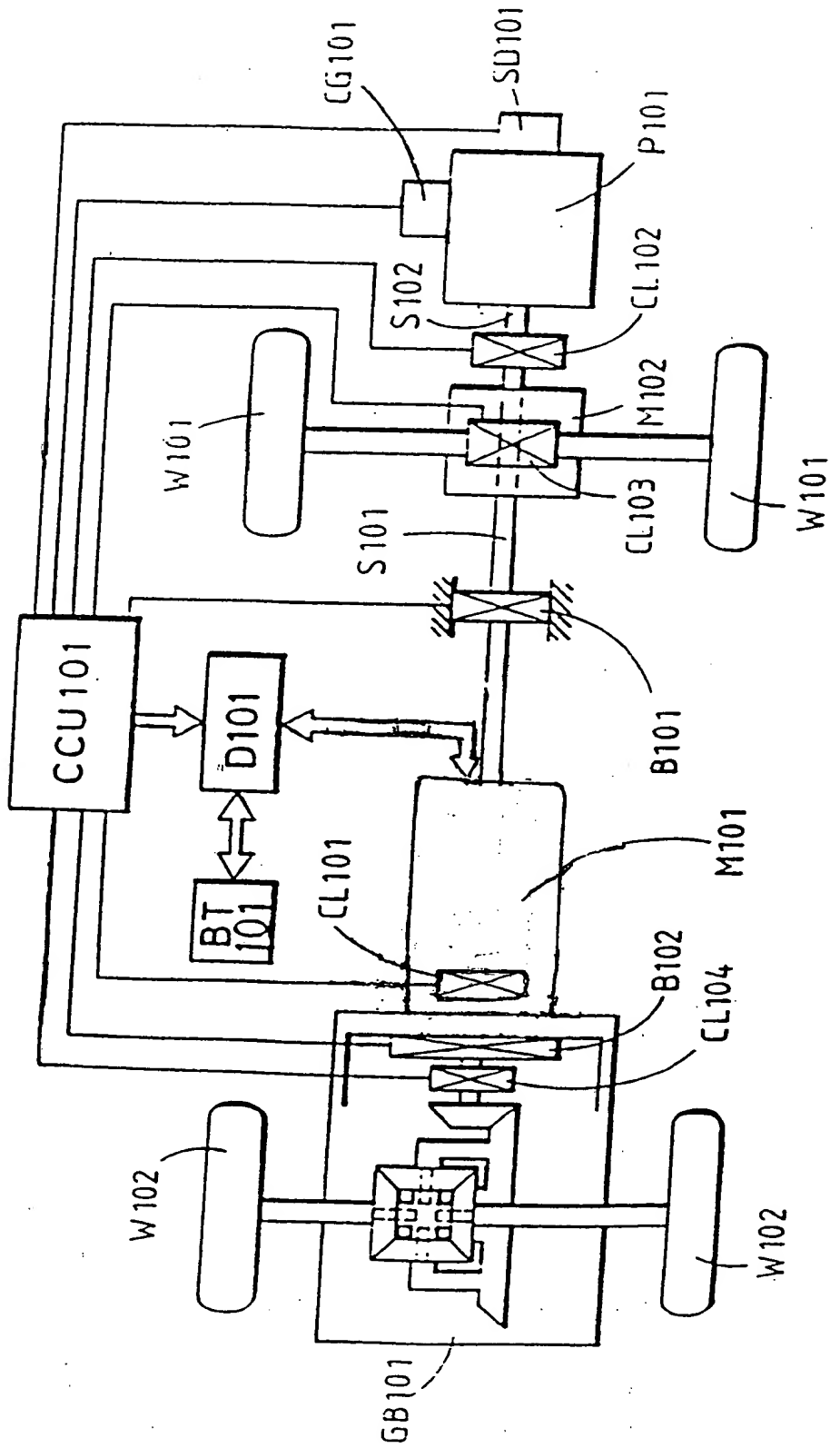
Serial Number 09/580,968

**AMENDMENTS TO THE DRAWINGS**

Please substitute replacement Figs. 1-8, attached hereto.

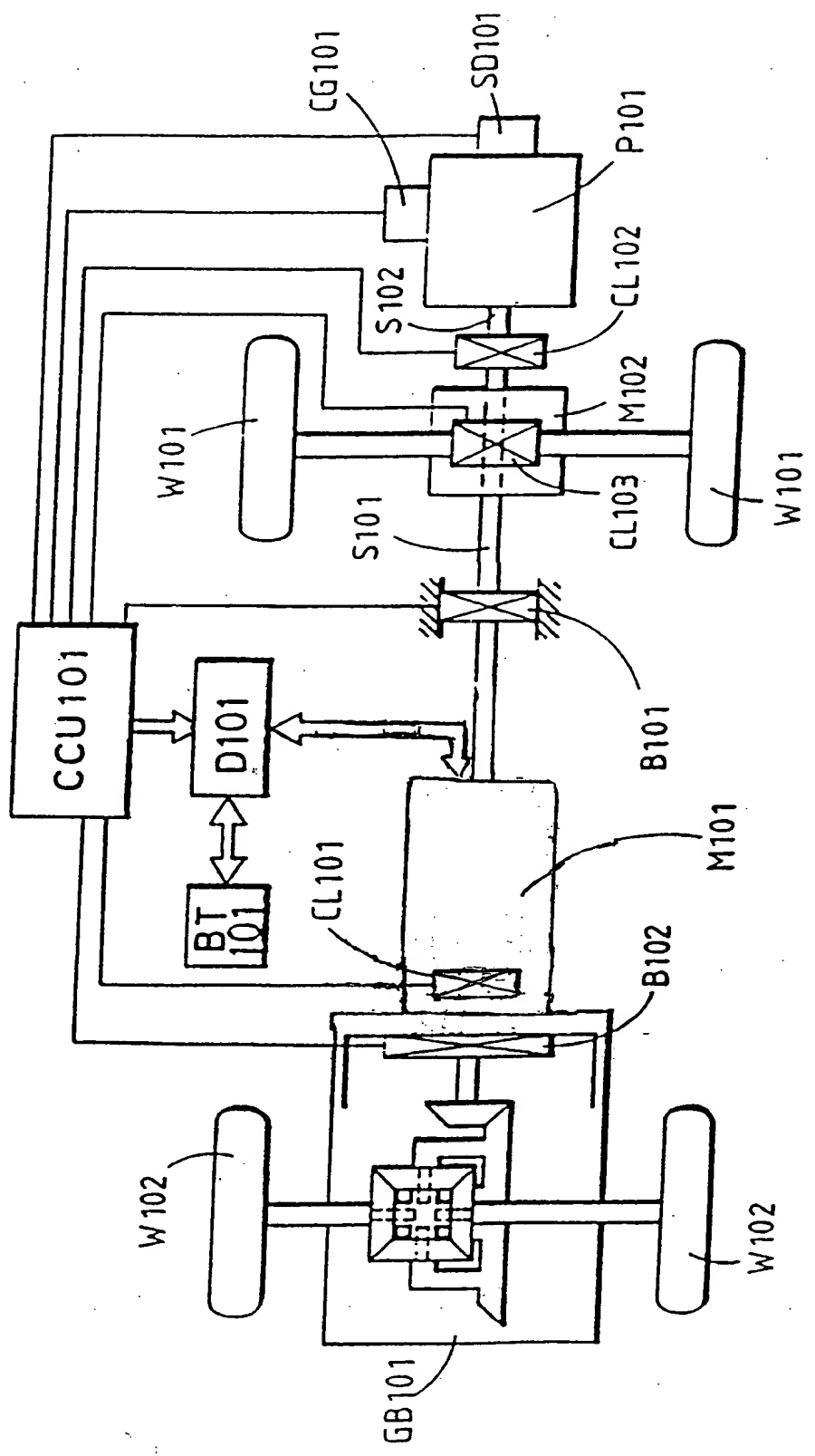


AMENDED FIG. 1



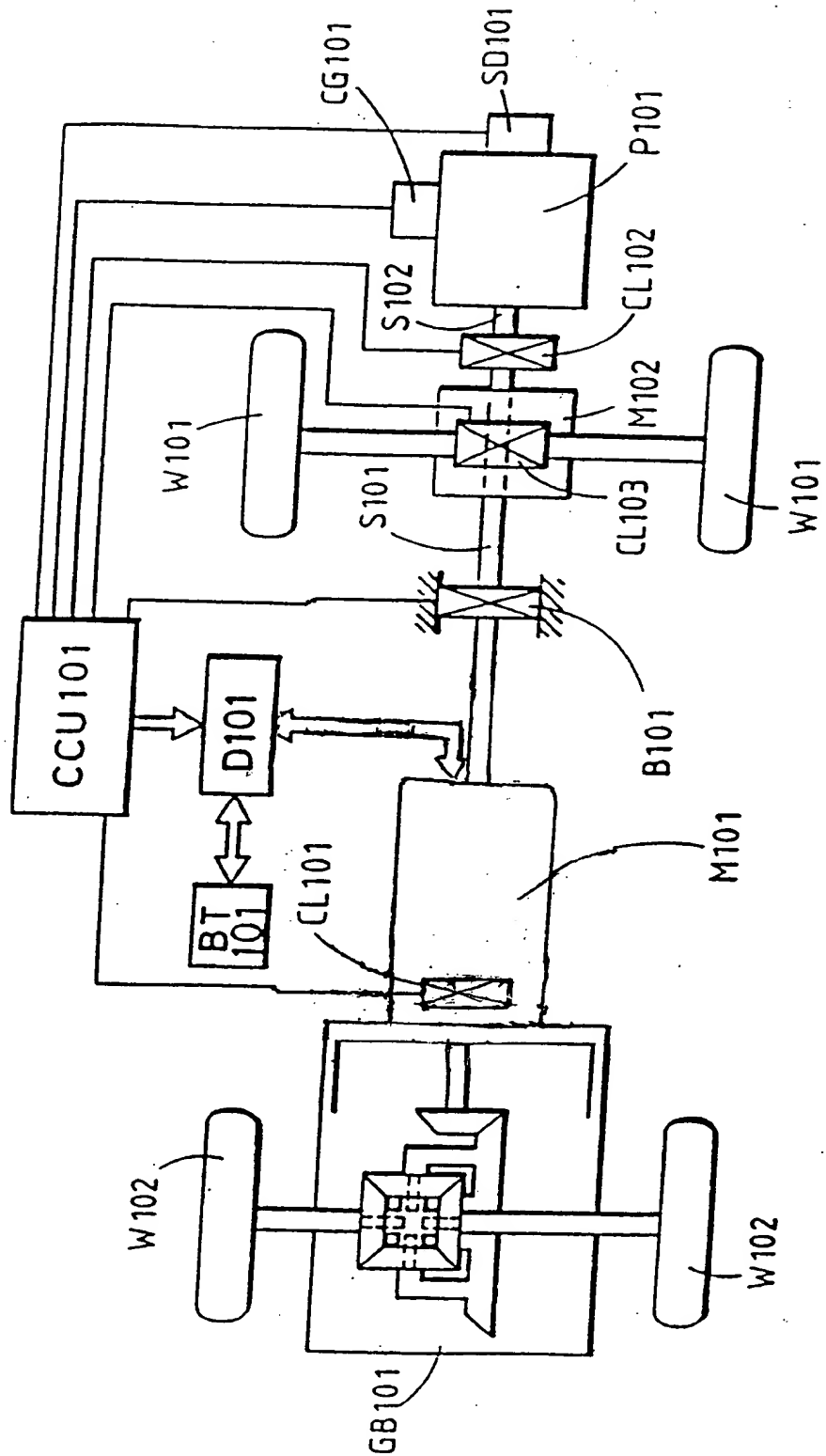
TRADE MARK OFFICE 8620  
DEC 22 2009  
STPE

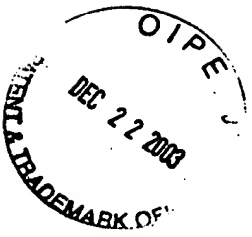
AMENDED FIG. 2



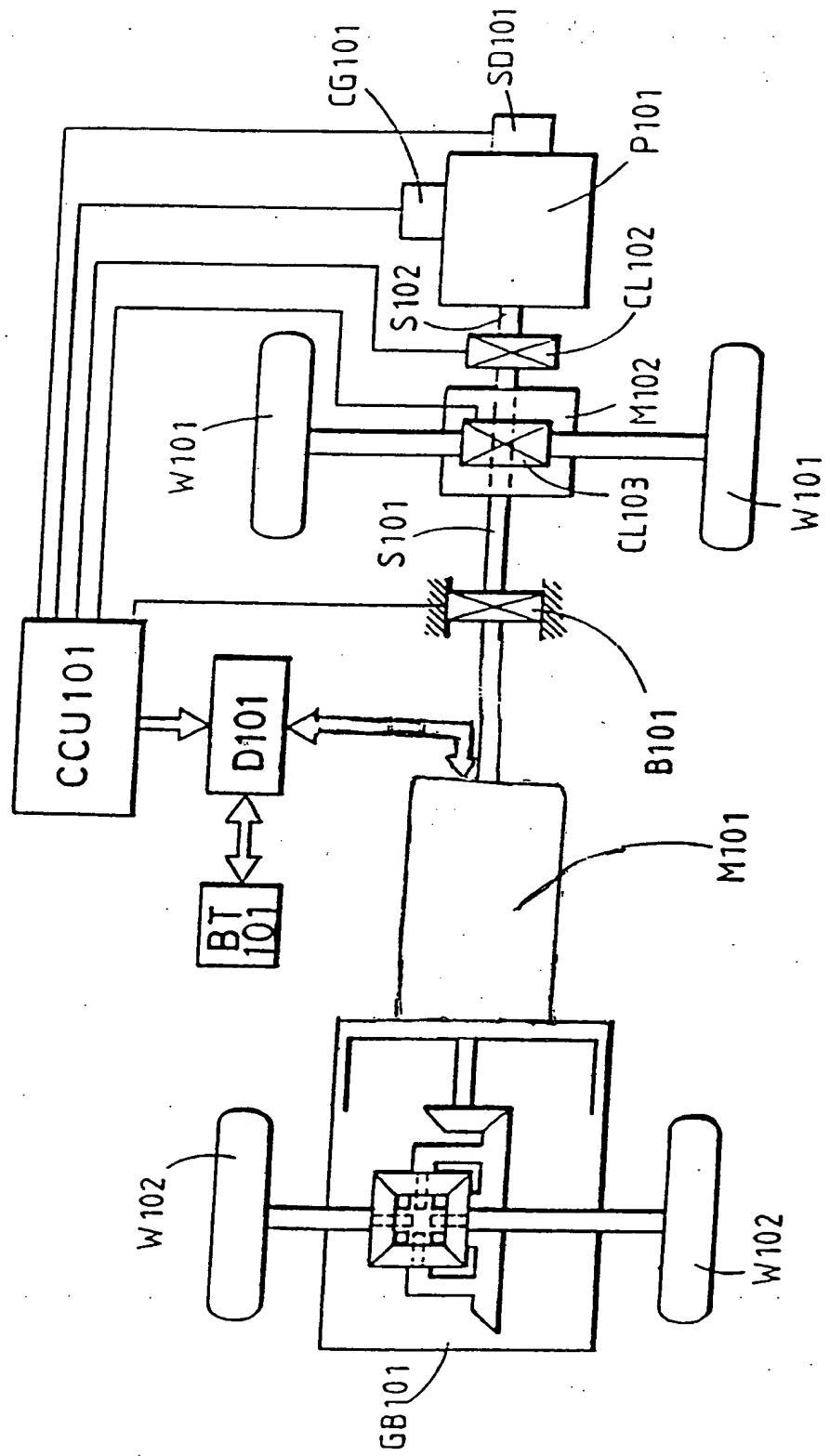


AMENDED FIG. 3



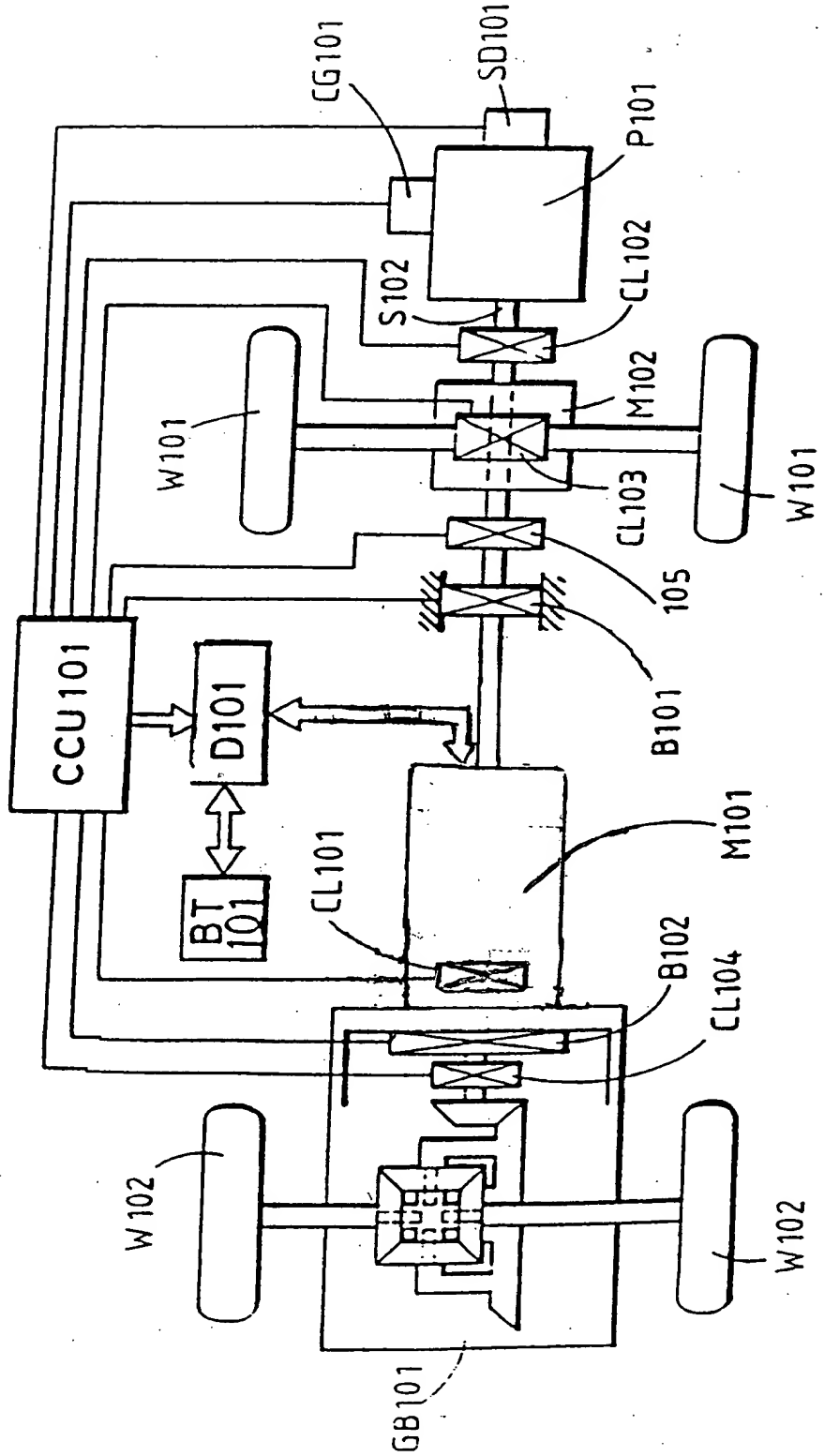


AMENDED FIG. 4



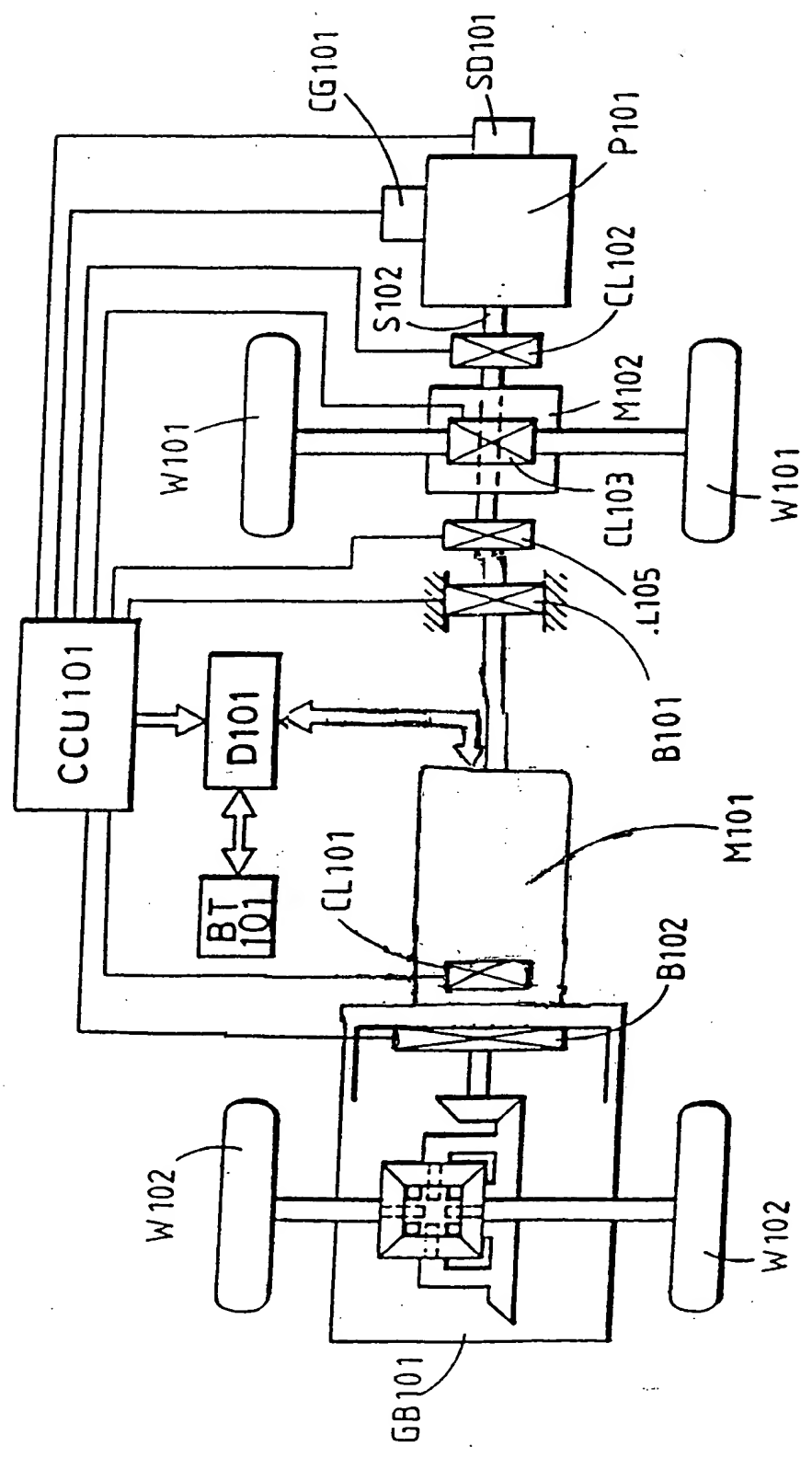
DEC 22 2003  
U.S. PATENT & TRADEMARK OFFICE

AMENDED FIG. 5



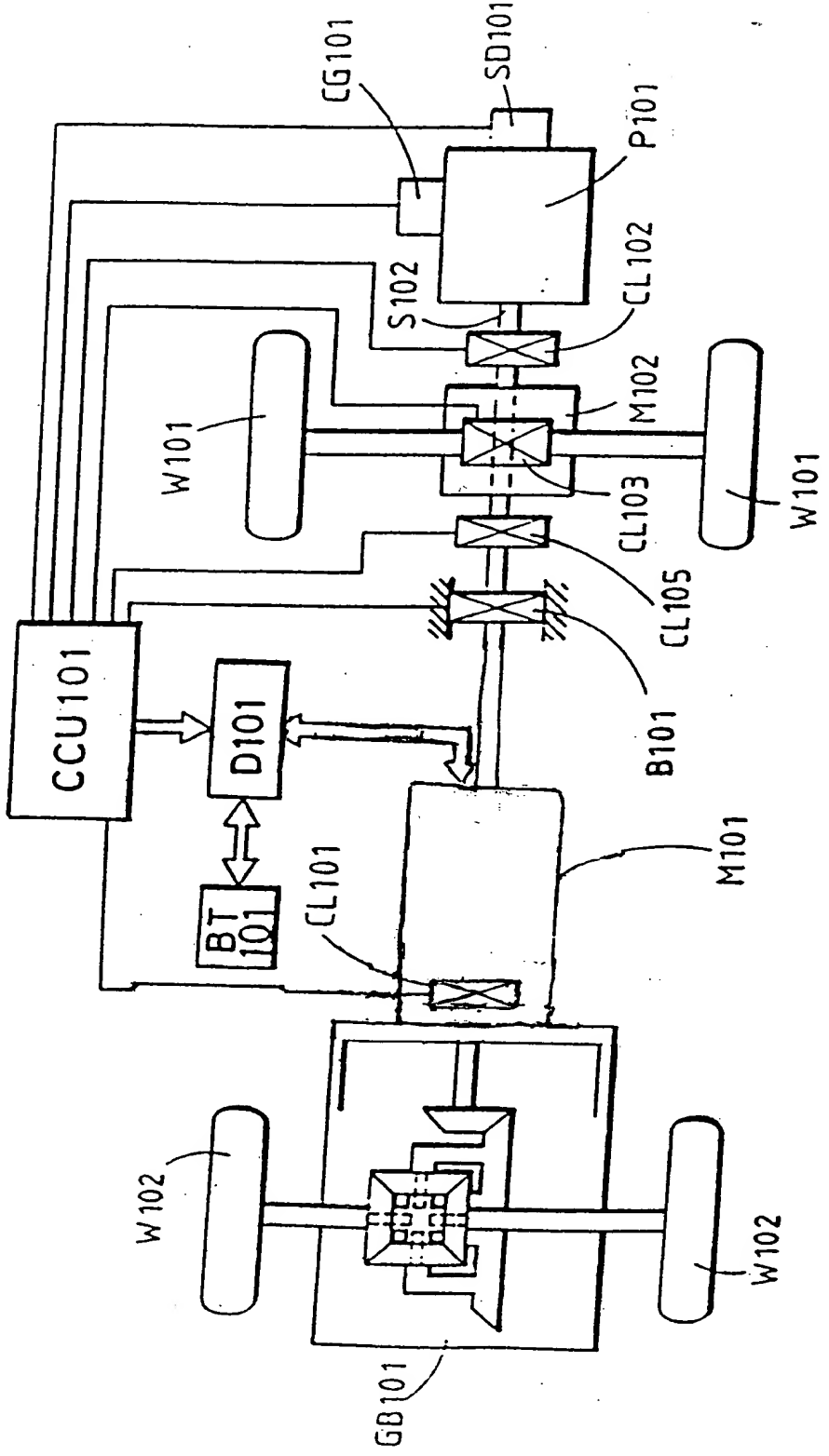
STP E  
DEC 22 2003  
TRADEMARK OFFICE

AMENDED FIG. 6



OTPE  
DEC 22 2003  
TRADEMARK OFFICE

AMENDED FIG. 7







AMENDED FIG. 8

